

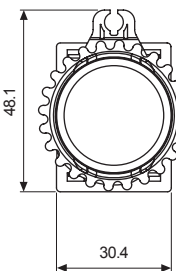
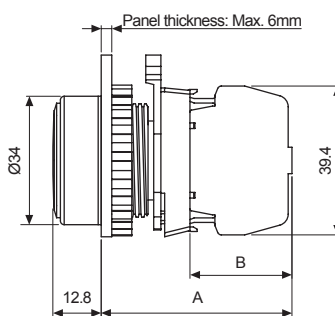


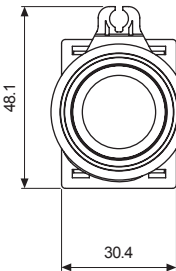
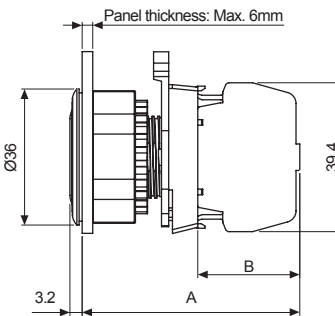


## Ø30 Round Push Button Switches (S3PR Series)

Type	Appearance	Model	Contact block		LED block										
			A contact	B contact	AC/DC voltage	AC voltage									
Extended	 <p>S3PR-P1R□</p> 	S3PR-P1□A(M)	1	—	—	—									
		S3PR-P1□2A(M)	2	—											
		S3PR-P1□3A(M)	3	—											
		S3PR-P1□B(M)	—	1											
		S3PR-P1□2B(M)	—	2											
		S3PR-P1□3B(M)	—	3											
		S3PR-P1□AB(M)	1	1											
		S3PR-P1□2AB(M)	2	1											
		S3PR-P1□A2B(M)	1	2											
<p>※□ indicates color : <b>R</b>, <b>B</b>, <b>G</b>, <b>Y</b>, <b>K</b></p> <p>※The M in the model name indicates modular type contact block. Models without M are singular contact block.</p> <p>※The control unit, contact blocks, LED blocks are sold separately. (control unit: bold letters, contact block: regular letters)</p> <p>• Dimensions <span style="float: right;">(unit: mm)</span></p> <div style="display: flex; justify-content: space-around; align-items: flex-start;">   <table border="1" style="margin-left: auto;"> <thead> <tr> <th></th> <th>A</th> <th>B</th> </tr> </thead> <tbody> <tr> <td>Singular type</td> <td>50.5</td> <td>27.0</td> </tr> <tr> <td>Modular type</td> <td>48.5</td> <td>25.0</td> </tr> </tbody> </table> </div> <p style="text-align: right;">※For panel cut-out dimensions, please refer to page A-105.</p>								A	B	Singular type	50.5	27.0	Modular type	48.5	25.0
	A	B													
Singular type	50.5	27.0													
Modular type	48.5	25.0													

Type	Appearance	Model	Contact block		LED block										
			A contact	B contact	AC/DC voltage	AC voltage									
Flush	 <p>S3PF-P1B□</p> 	S3PF-P1□A(M)	1	—	—	—									
		S3PF-P1□2A(M)	2	—											
		S3PF-P1□3A(M)	3	—											
		S3PF-P1□B(M)	—	1											
		S3PF-P1□2B(M)	—	2											
		S3PF-P1□3B(M)	—	3											
		S3PF-P1□AB(M)	1	1											
		S3PF-P1□2AB(M)	2	1											
		S3PF-P1□A2B(M)	1	2											
<p>※□ indicates color : <b>R</b>, <b>B</b>, <b>G</b>, <b>Y</b>, <b>K</b></p> <p>※The M in the model name indicates modular type contact block. Models without M are singular contact block.</p> <p>※The control unit, contact blocks, LED blocks are sold separately. (control unit: bold letters, contact block: regular letters)</p> <p>• Dimensions <span style="float: right;">(unit: mm)</span></p> <div style="display: flex; justify-content: space-around; align-items: flex-start;">   <table border="1" style="margin-left: auto;"> <thead> <tr> <th></th> <th>A</th> <th>B</th> </tr> </thead> <tbody> <tr> <td>Singular type</td> <td>57.6</td> <td>27.0</td> </tr> <tr> <td>Modular type</td> <td>55.6</td> <td>25.0</td> </tr> </tbody> </table> </div> <p style="text-align: right;">※For panel cut-out dimensions, please refer to page A-105.</p>								A	B	Singular type	57.6	27.0	Modular type	55.6	25.0
	A	B													
Singular type	57.6	27.0													
Modular type	55.6	25.0													



# Ø30 Push Button Switches

Control Switches

Ø16

Ø22/25

Ø30

Ø30

Push Button Switches

Round

Square

Rectangular

Selector Switches

Round

Square

Rectangular

Key Selector Switches

Round

Square

Rectangular

Double Push Button Switches



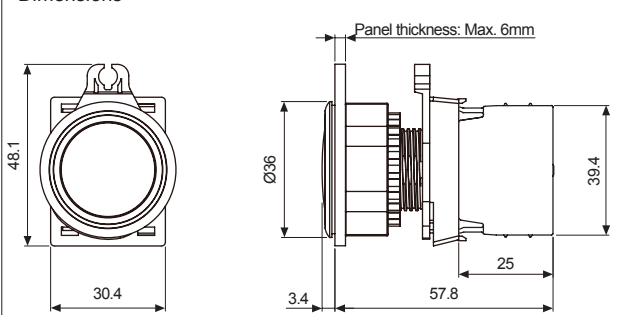


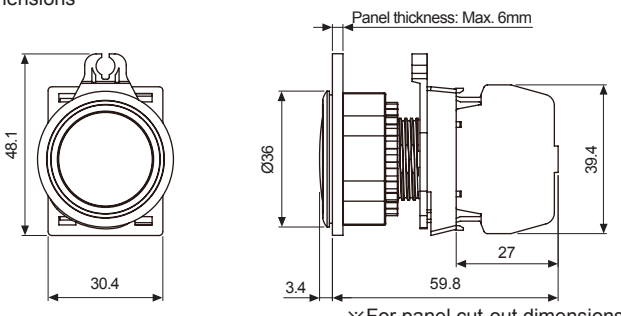
Mushroom-head Push Button Switches

Emergency Switches

Pilot Lights

Accessories


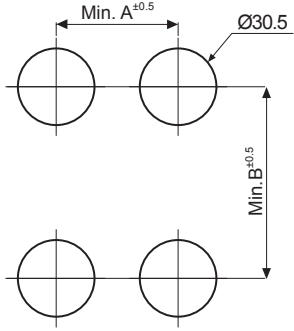



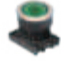
Buzzers

Type	Appearance	Model	Contact block		LED block				
			A contact	B contact	AC/DC voltage	AC voltage			
Flush (illuminated)	 S3PFU-P3G□ 	Modular contact	<b>S3PF(U)-P3</b> □ADM	1	—	1	—		
			<b>S3PF(U)-P3</b> □2ADM	2	—				
			<b>S3PF(U)-P3</b> □BDM	—	1				
			<b>S3PF(U)-P3</b> □2BDM	—	2				
			<b>S3PF(U)-P3</b> □ABDM	1	1				
			<b>S3PF(U)-P3</b> □ALM	1	—			—	1
			<b>S3PF(U)-P3</b> □2ALM	2	—				
			<b>S3PF(U)-P3</b> □BLM	—	1				
			<b>S3PF(U)-P3</b> □2BLM	—	2				
			<b>S3PF(U)-P3</b> □ABLM	1	1				
※ □ indicates color: <span style="color: red;">■</span> , <span style="color: blue;">■</span> , <span style="color: green;">■</span> , <span style="color: yellow;">■</span> , <span style="color: white;">■</span> ※ The control unit, contact blocks, LED blocks are sold separately. (control unit: bold letters, contact block: regular letters) ※ Control unit+contact block (modular type) models do not contain "Push" markings on the button cap. ※ Models with 'U' in the model name is available only for control unit. 'U' models do not contain "Push" markings on the button cap. ※ The LED color is the same as the control unit. ※ Waterproof cap (model: SA-WP) is available.									
• Dimensions <span style="float: right;">(unit: mm)</span>									
									
※ For panel cut-out dimensions, please refer to page A-105.									
Appearance	Model	Contact block		LED block					
		A contact	B contact	AC/DC voltage	AC voltage				
	 S3PF-P3G□ 	Singular contact	<b>S3PF(U)-P3</b> □AD	1	—	1	—		
			<b>S3PF(U)-P3</b> □2AD	2	—				
			<b>S3PF(U)-P3</b> □BD	—	1				
			<b>S3PF(U)-P3</b> □2BD	—	2				
			<b>S3PF(U)-P3</b> □ABD	1	1				
			<b>S3PF(U)-P3</b> □AL	1	—			—	1
			<b>S3PF(U)-P3</b> □2AL	2	—				
			<b>S3PF(U)-P3</b> □BL	—	1				
			<b>S3PF(U)-P3</b> □2BL	—	2				
			<b>S3PF(U)-P3</b> □ABL	1	1				
※ □ indicates color: <span style="color: red;">■</span> , <span style="color: blue;">■</span> , <span style="color: green;">■</span> , <span style="color: yellow;">■</span> , <span style="color: white;">■</span> ※ The control unit, contact blocks, LED blocks are sold separately. (control unit: bold letters, contact block: regular letters) ※ Control unit+contact block (singular type) models contain "Push" markings on the button cap. ※ Models with 'U' in the model name is available only for control unit. 'U' models do not contain "Push" markings on the button cap. ※ The LED color is the same as the control unit. ※ Waterproof cap (model: SA-WP) is available.									
• Dimensions <span style="float: right;">(unit: mm)</span>									
									
※ For panel cut-out dimensions, please refer to page A-105.									

# Ø30 Panel Cut-out Dimensions

## Ø30 Panel Cut-out Dimensions

(unit: mm)

Type		A	B	Panel Cut-out Dimensions	
Round Push Button Switches (S3PR/S3PF Series)		45	55		
Round Selector Switches (S3SF/S3SFN Series)	Short lever		37		55
	Long lever		55		55
Round Key Selector Switches (S3KF Series)		37	55		
Pilot Lights (L3RF Series)		37	55		

### Control Switches

Ø16

Ø22/25

Ø30

□30

### Push Button Switches

Round

Square

Rectangular

### Selector Switches

Round

Square

Rectangular

### Key Selector Switches

Round

Square

Rectangular

### Double Push Button Switches

### Mushroom-head Push Button Switches

### Emergency Switches

### Pilot Lights

### Accessories

### Buzzers